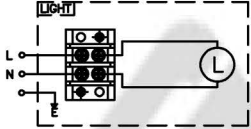
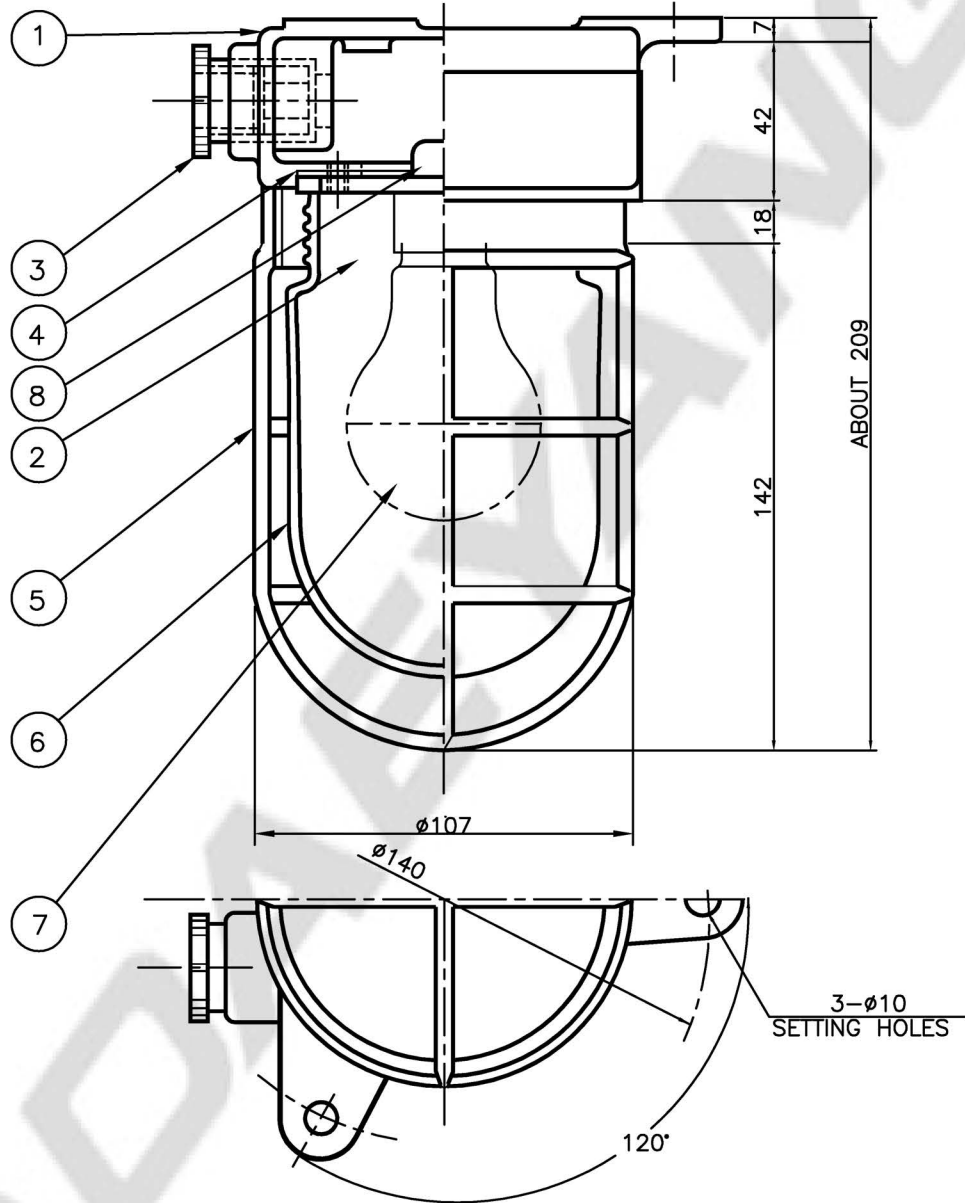



CAPACITY	SYMBOL/ SERIAL NO.	CIRCUIT DIAGRAM
AC220-240V, 50/60Hz		
10W		



8	TERMINAL BLOCK	PHENOL	1	2P	4	GLOBE GASKET	SILICONE	1	
7	LED LAMP	-	1	4,000K	3	CABLE GLAND(#20)	BRASS	2	$\phi 12 \sim \phi 15$
6	GLOBE	GLASS	1	S-90	2	LAMP HOLDER	PORCELAIN	1	E27
5	GUARD	BRASS	1		1	BODY	BRASS	1	
NO	NAME OF PARTS	MATERIAL	Q'TY	REMARKS	NO	NAME OF PARTS	MATERIAL	Q'TY	REMARKS

APPROVED	B. K. KIM	UNIT	MM	TITLE; LED PENDANT LIGHT FOR MARINE USE			
CHECKED		SCALE	N/S				
DRAWING	B. I. KIM	COLOR	NATURAL				
DATE	2015.12.04	IP	56				
				MODEL NO.	LP10-23BNCGC40	WEIGHT	2.2 Kg
				DWG NO.	LP1100128	SHEET NO.	17